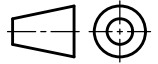


View more at
<https://qwares.com/glass/tension>

Email:
info@qwares.com

TITLE		
Qwares Stainless Steel Tension Rod 16mm		
Project	Length	Load Data
_____	_____ mm	_____ kn
FIRST ANGLE PROJECTION	MATERIAL	QTY
	SS316 ()	_____ PCS
	SS304 ()	