

1

2

3

4

A

A

B

B

C

C

D

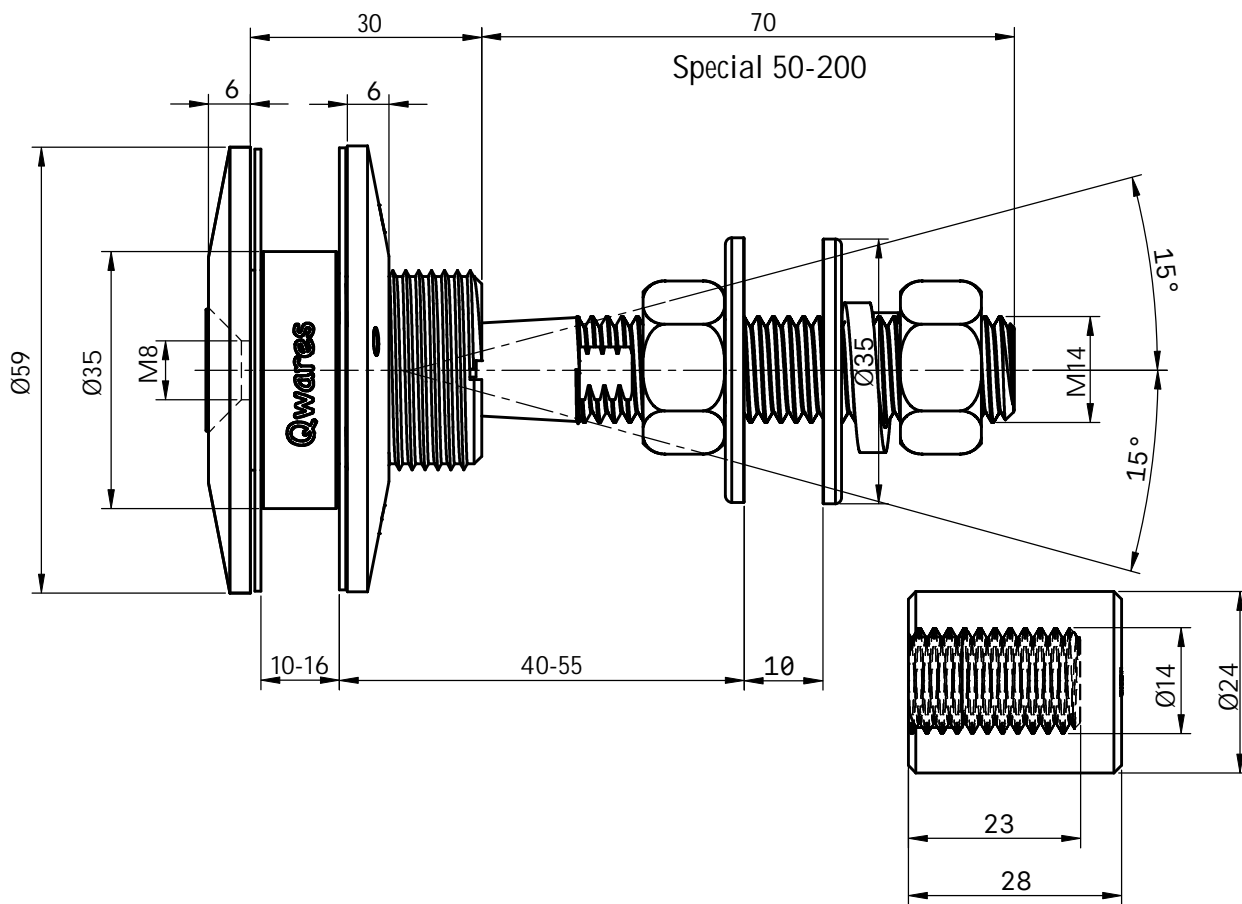
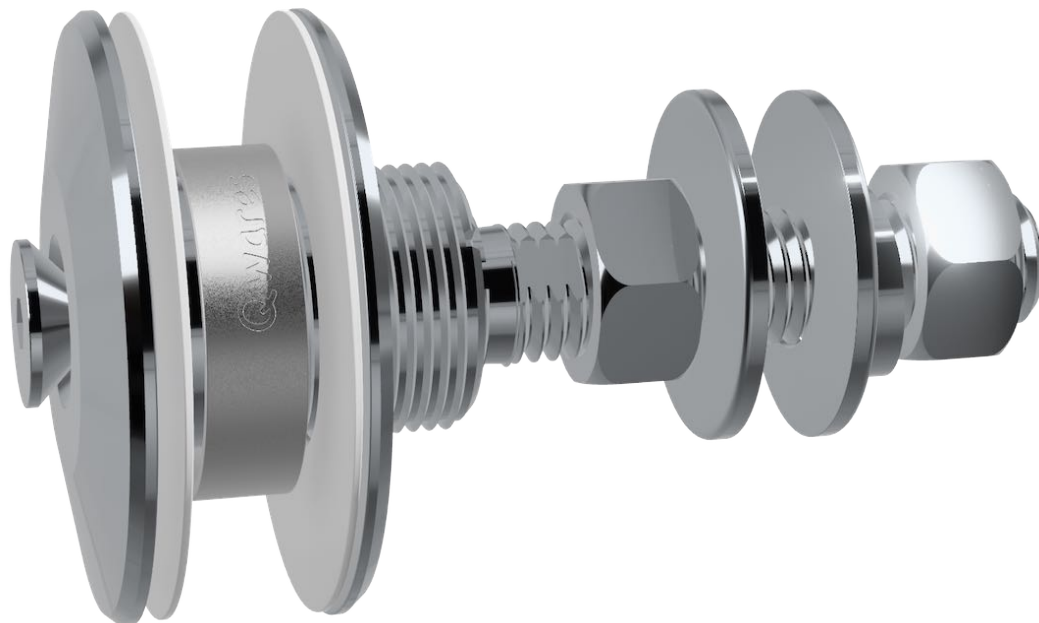
D

E

E

F

F



TITLE

Qwares R06 Glass Panel Fixing Bolts

Project

Glass Thickness

_____ mm

M14 Screw Length

_____ mm

FIRST ANGLE PROJECTION



MATERIAL

SS316()

SS304()

QTY

_____ PCS

View more at
<https://qwares.com/glass/bolts/>

Email:
info@qwares.com

1

2

3

4