

1 2 3 4

A

A

B

B

C

C

D

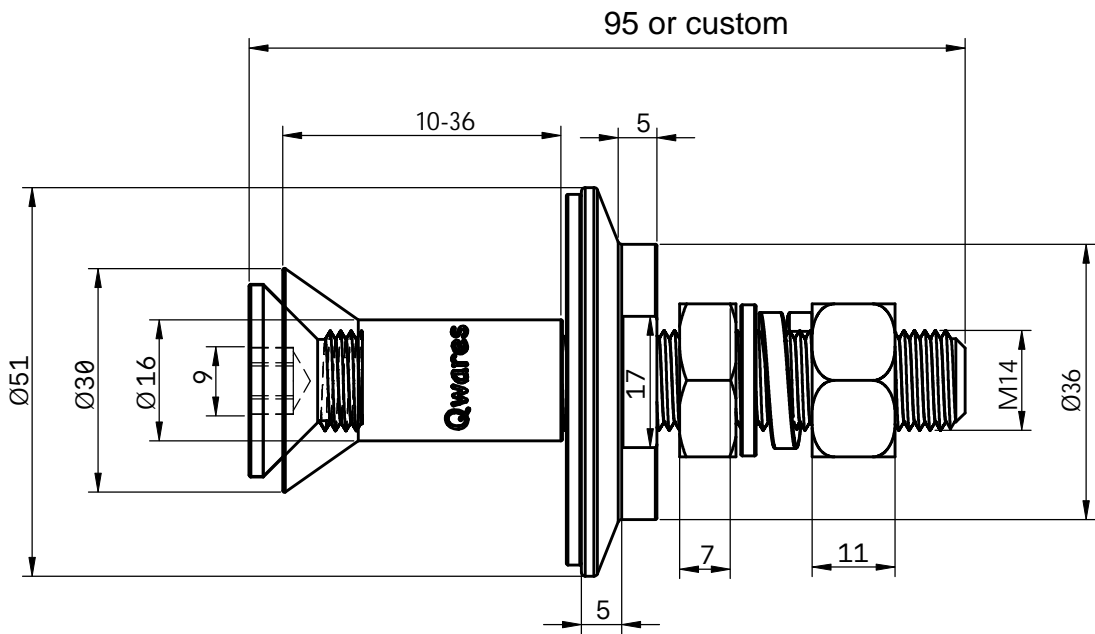
D

E

E

F

F



TITLE

Qwares V01 Fixed Countersunk Glass Fixing Screws

Project

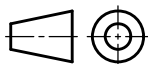
Glass Thickness

_____ mm

M14 Screw Length

_____ mm

FIRST ANGLE PROJECTION



MATERIAL

SS316()
SS304()

QTY

_____ PCS

View more at
<https://qwares.com/glass/bolts/>

Email:
info@qwares.com

1 2 3 4