

1 2 3 4

A

A

B

B

C

C

D

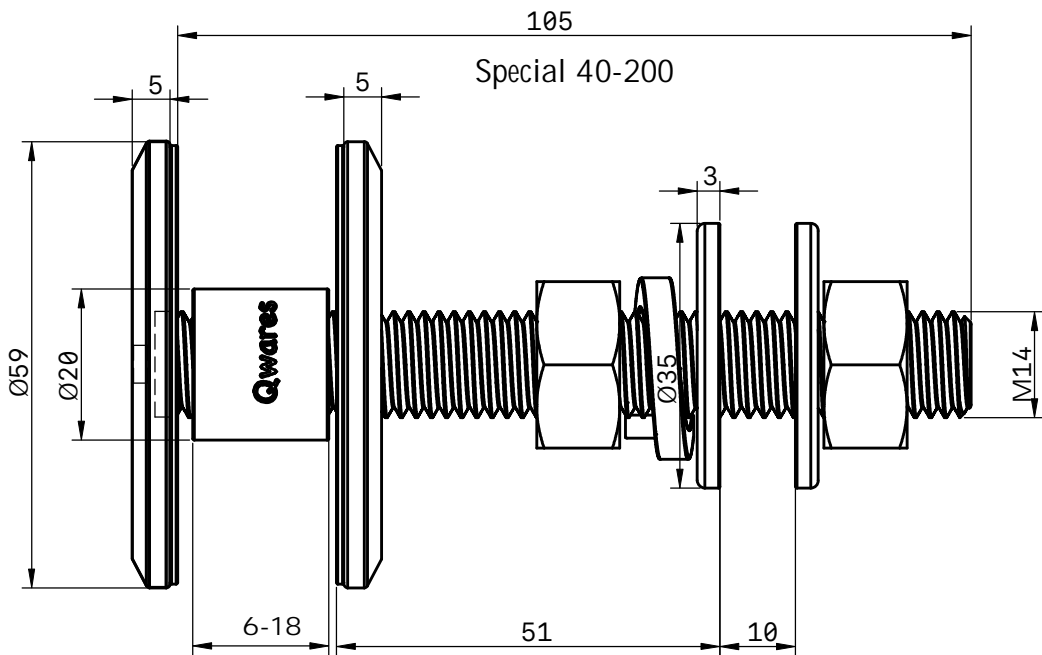
D

E

E

F

F

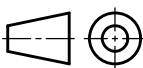


TITLE
Qwares V03 Fixed Bolts for Glazing

Project

Glass Thickness
 _____ mm

M14 Screw Length
 _____ mm

FIRST ANGLE PROJECTION


MATERIAL
 SS316()
 SS304()

QTY
 _____ PCS

View more at
<https://qwares.com/glass/bolts/>

Email:
info@qwares.com

1 2 3 4