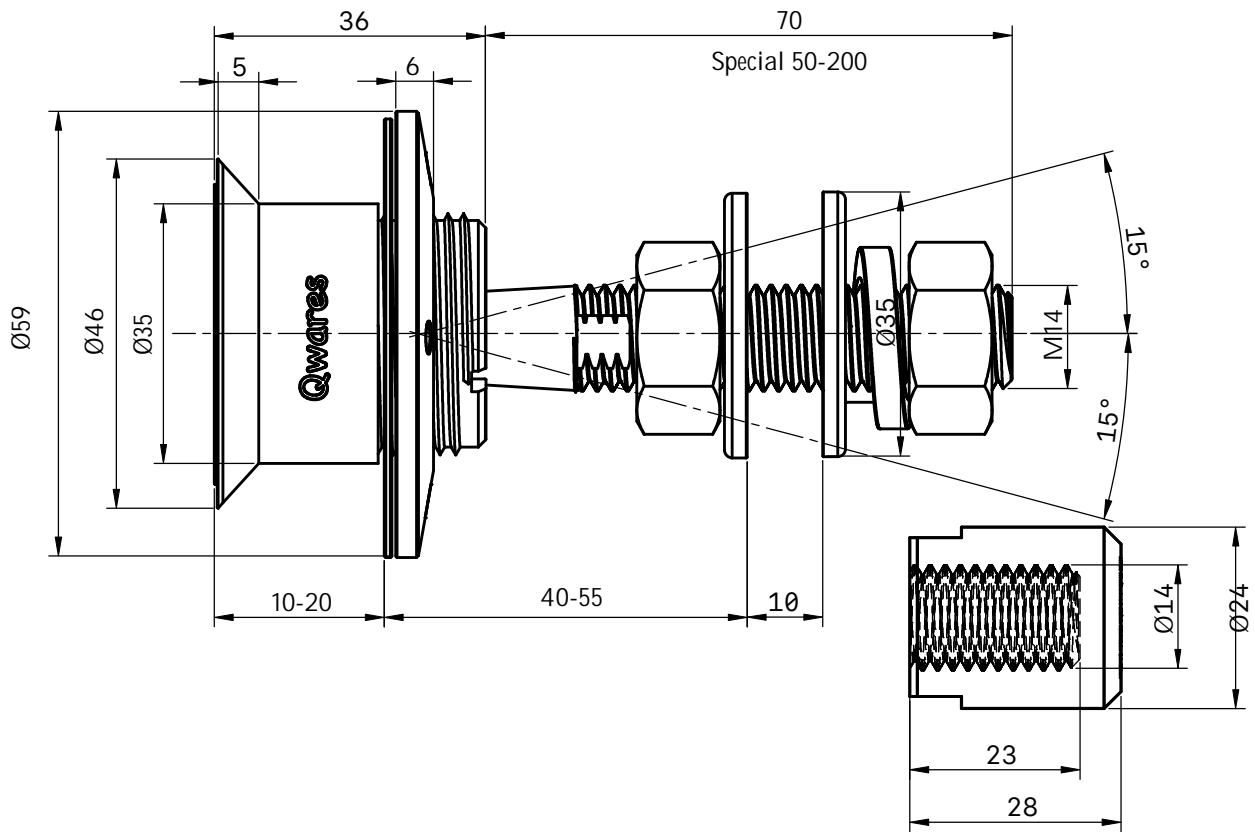
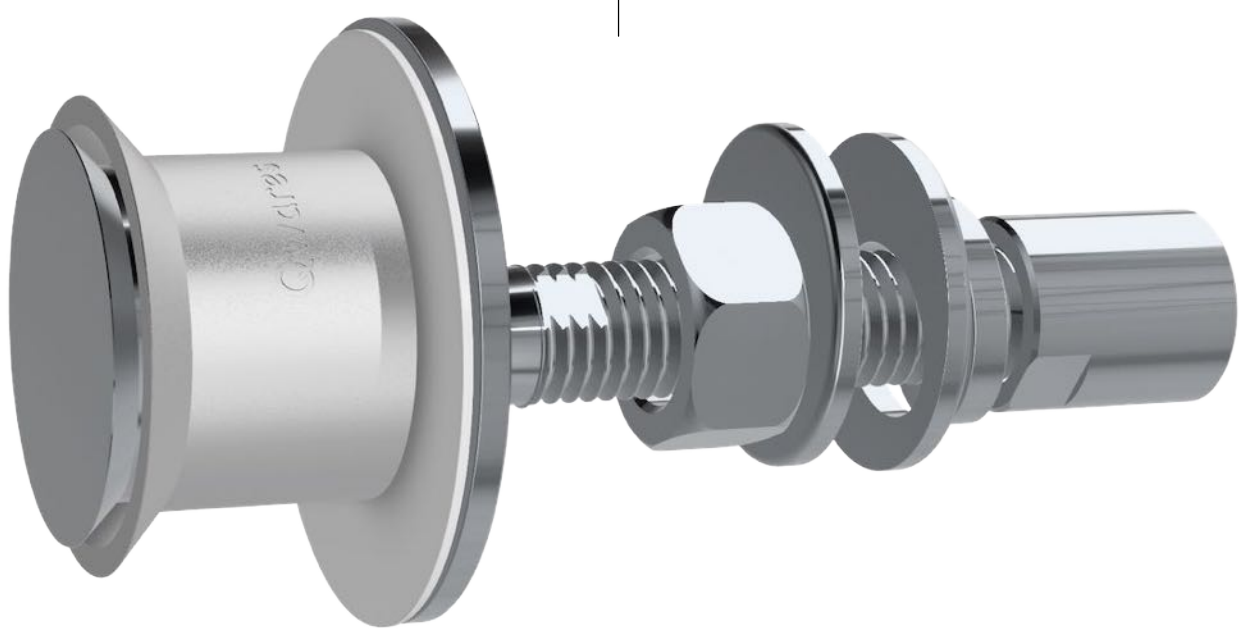


1 2 3 4

A
B
C
D
E
F

A
B
C
D
E
F



TITLE		
Qwares R01 Countersunk Swivel Glass Bolts		
Project	Glass Thickness	M14 Screw Length
_____	_____ mm	_____ mm
FIRST ANGLE PROJECTION	MATERIAL	QTY
	SS316() SS304()	_____ pcs

View more at
<https://qwares.com/glass/bolts/>

Email:
info@qwares.com

1 2 3 4