

1

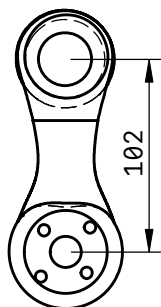
2

3

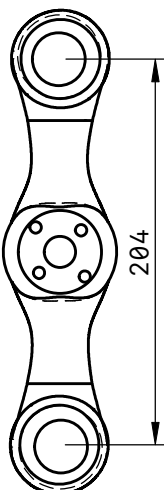
4

A

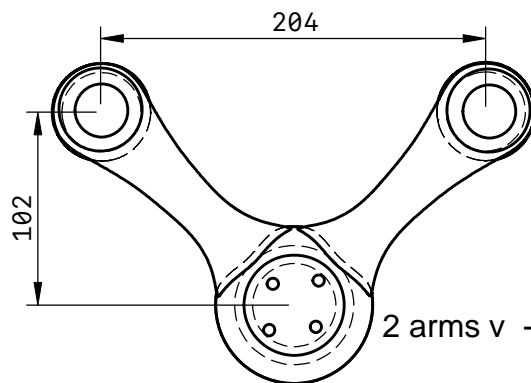
A



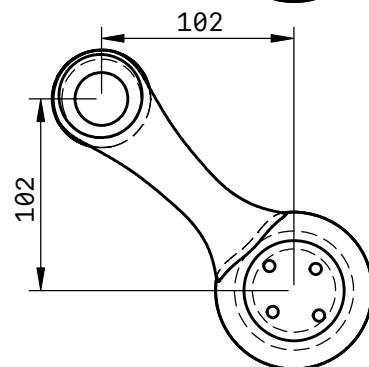
1 arm - S2045



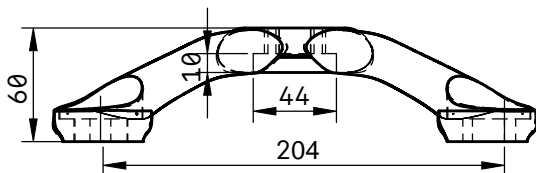
2 arms - S2043



2 arms v - S2044

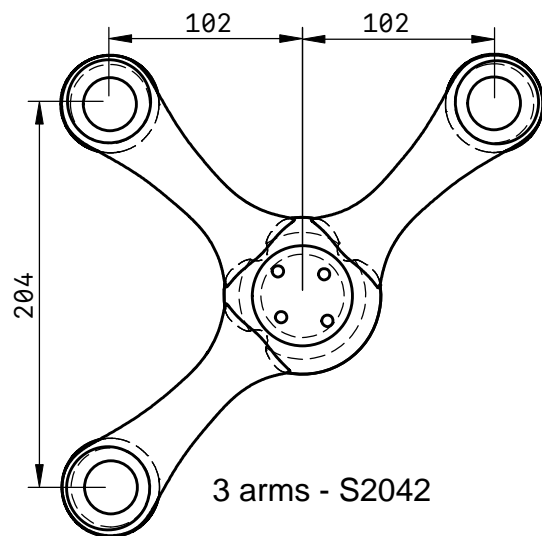


1 arm v - S2046

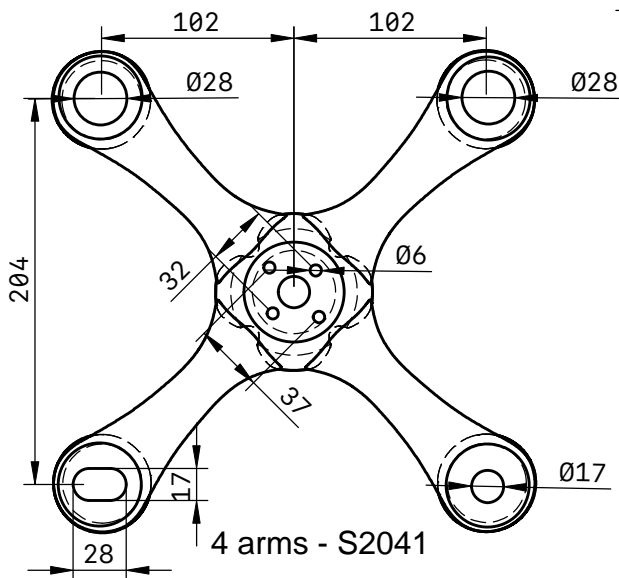


C

C



3 arms - S2042



4 arms - S2041

D

D

E

E

Company: \_\_\_\_\_

Name: \_\_\_\_\_

Phone: \_\_\_\_\_

E-mail: \_\_\_\_\_

TITLE

Qwares S204 (204mm) Architectural Glass Spider

VIEW MORE

[www.qwares.com/spider](http://www.qwares.com/spider)

UNITS

mm

MATERIAL

SS316 ( )

SS304 ( )

FIRST ANGLE PROJECTION



PROJECT

SURFACE

Brush ( )

Polish ( )

1

2

3

4

F

F